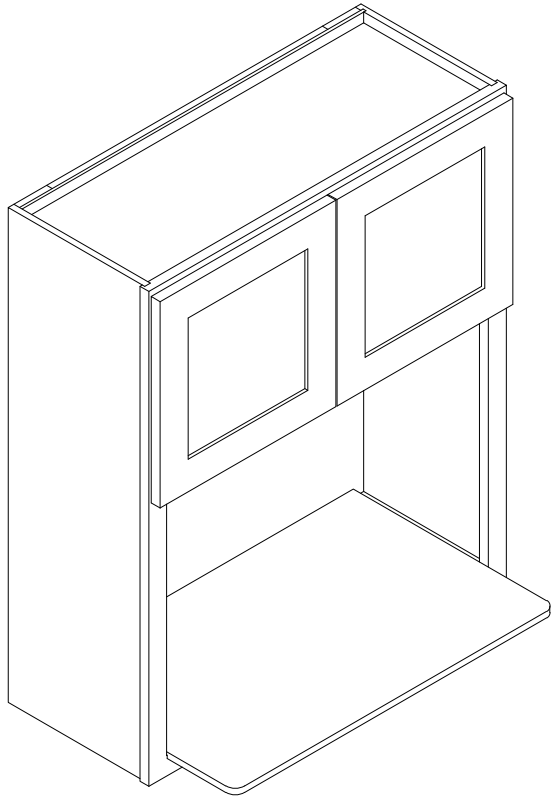


# ASSEMBLY INSTRUCTIONS

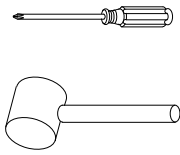
MW2730/MW2736/  
MW3030/MW3036



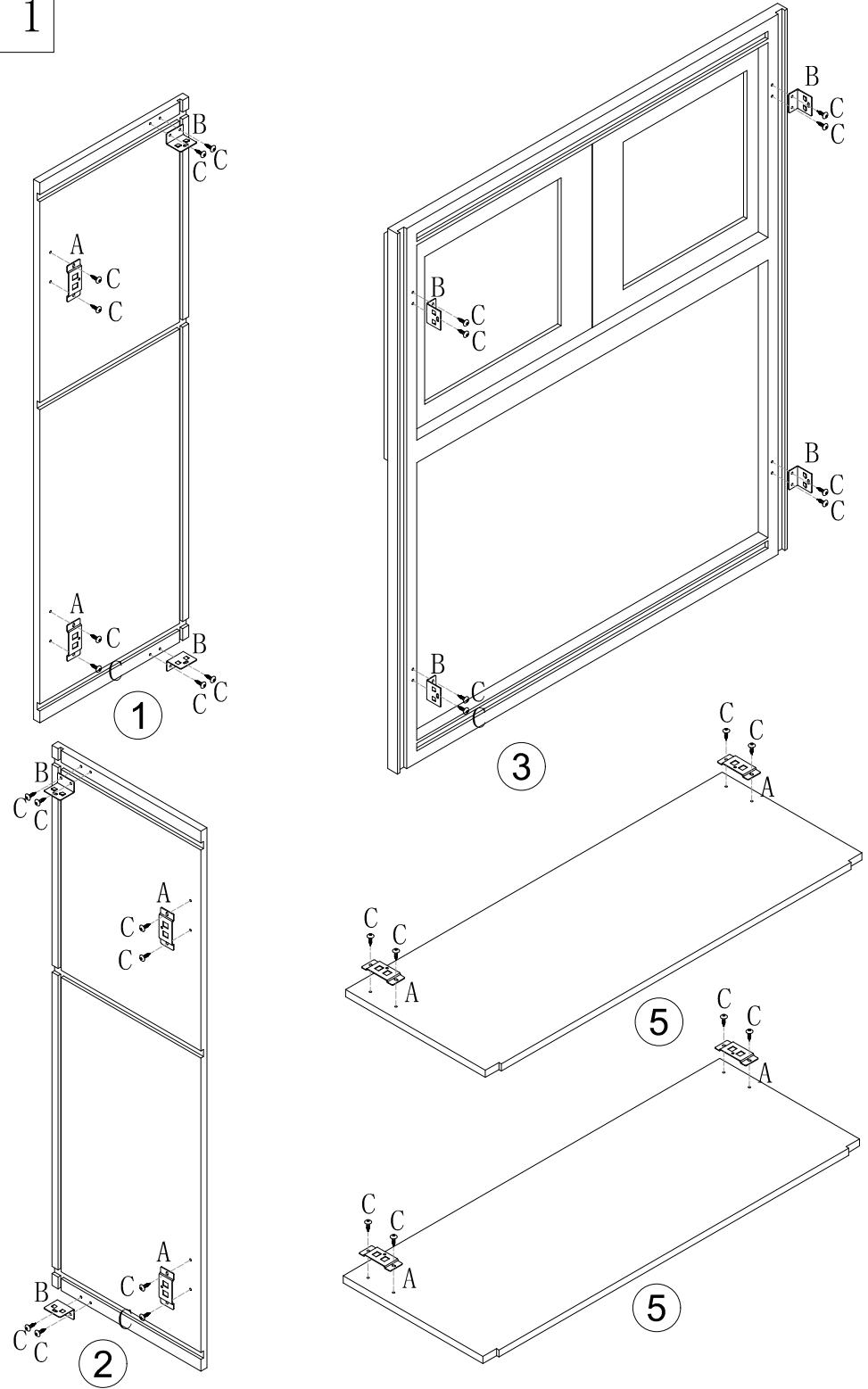
## Parts list

NO.	Parts	QTY
A		8
B		8
C		40
D		3

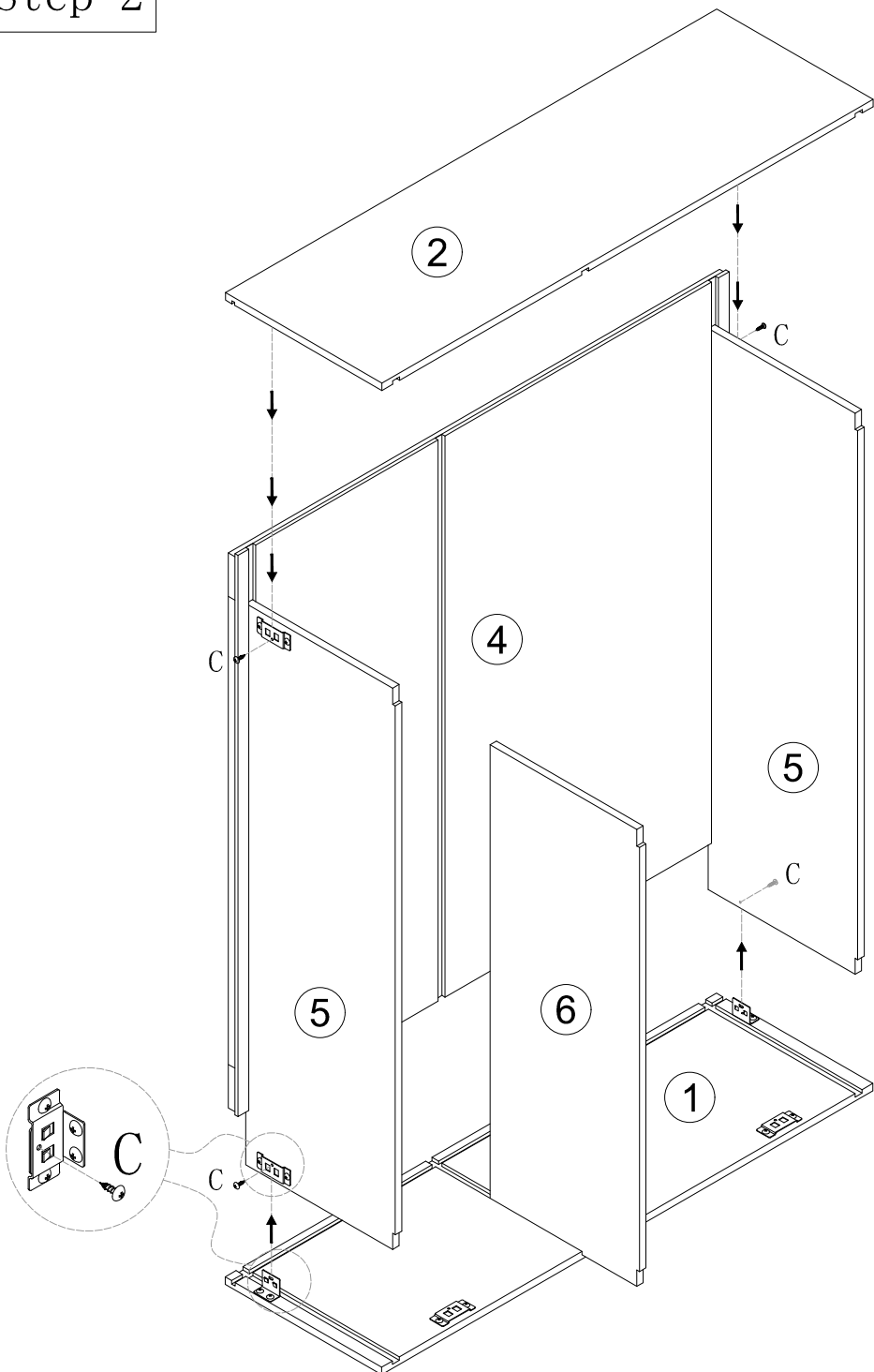
## Tools (required but not provided)



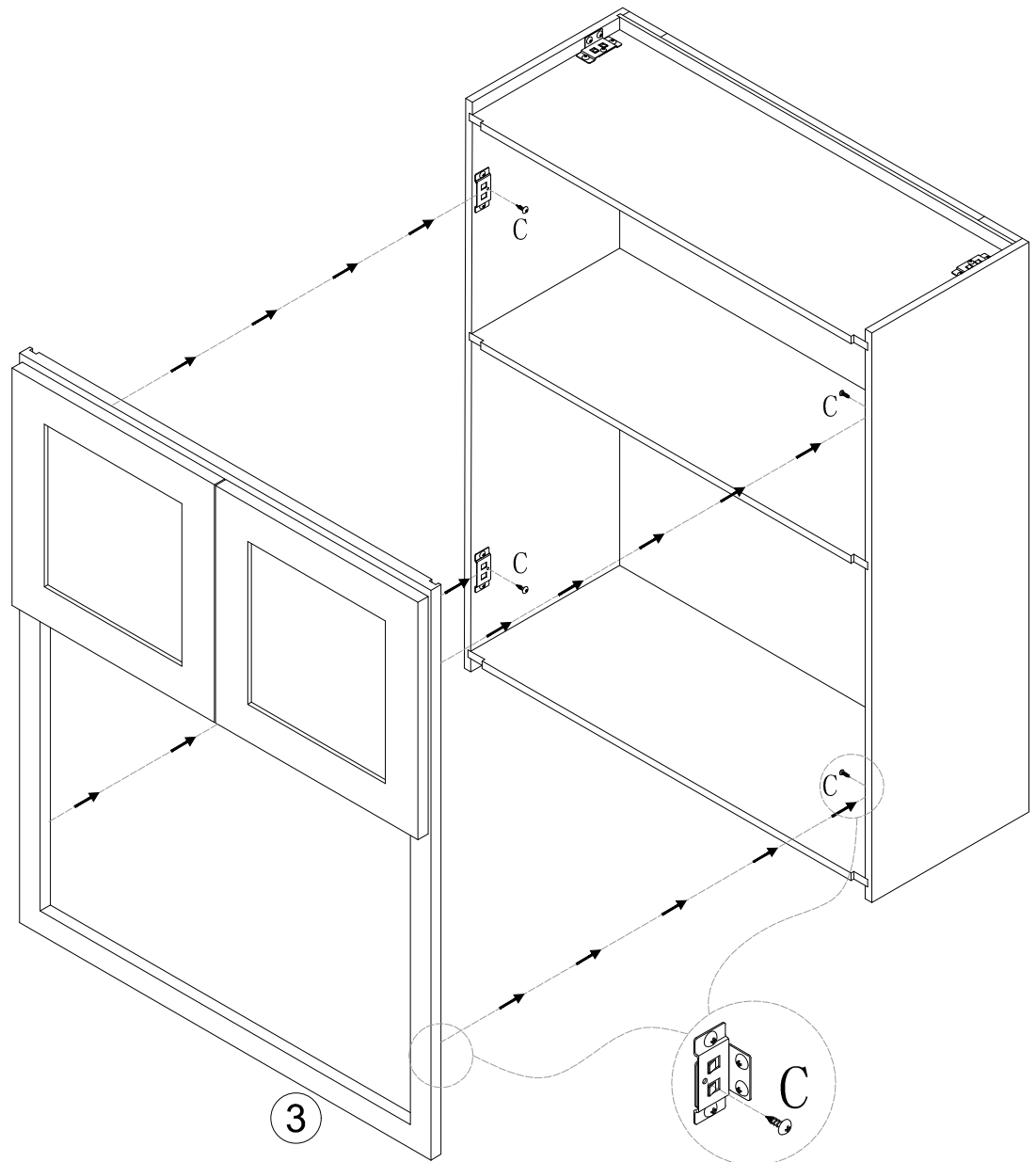
## Step 1



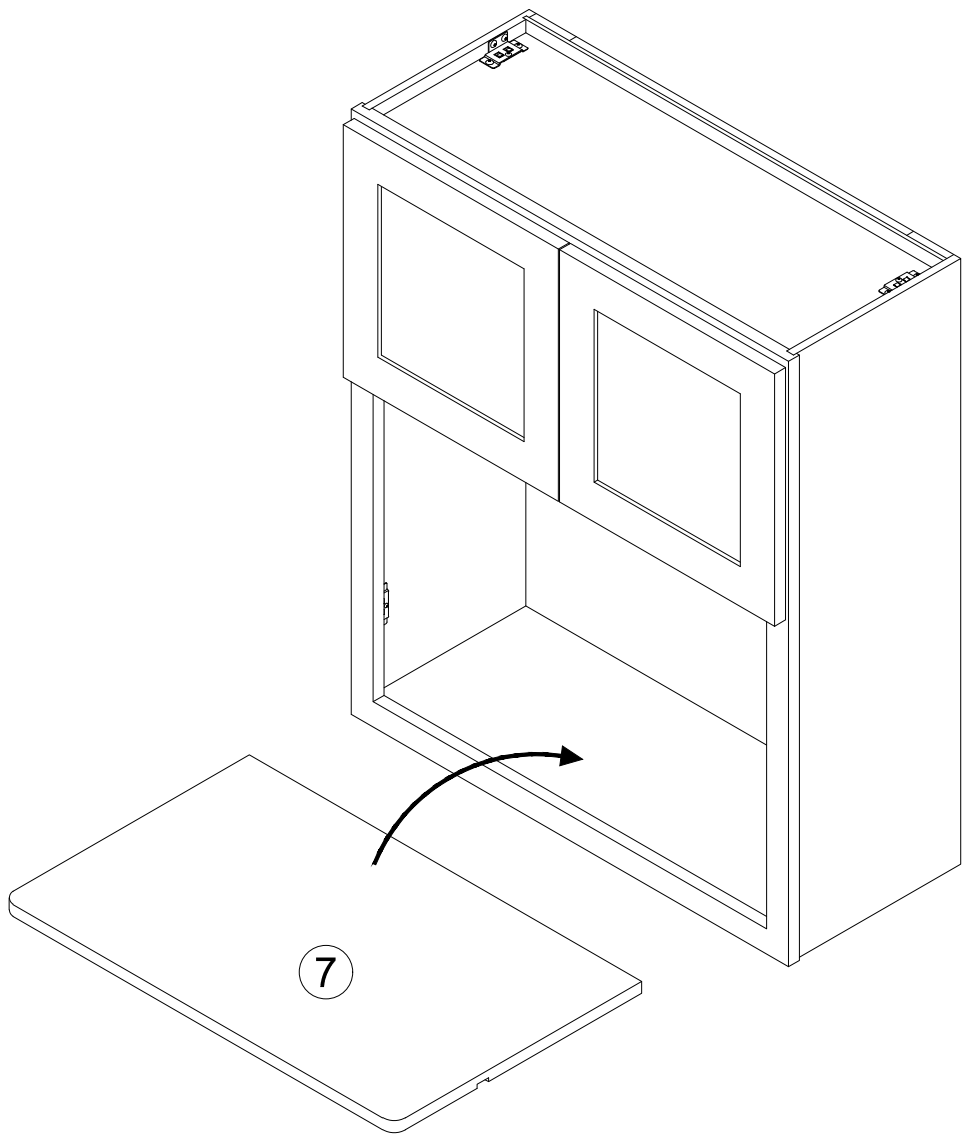
## Step 2



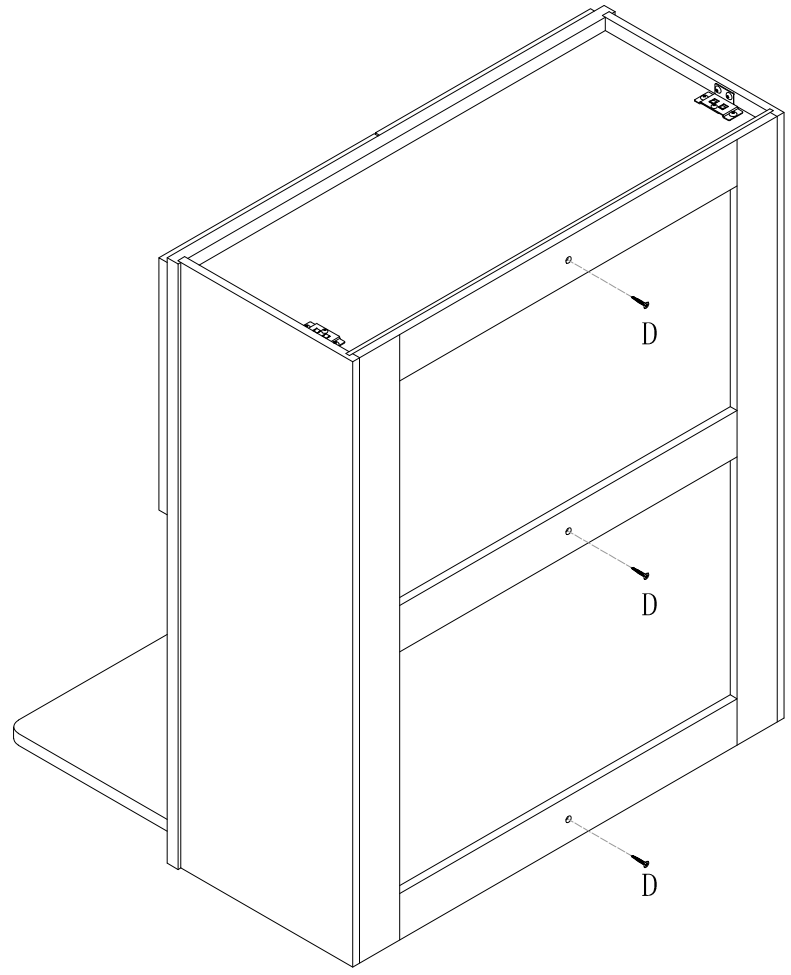
## Step 3



Step 4



Step 5



Finished

